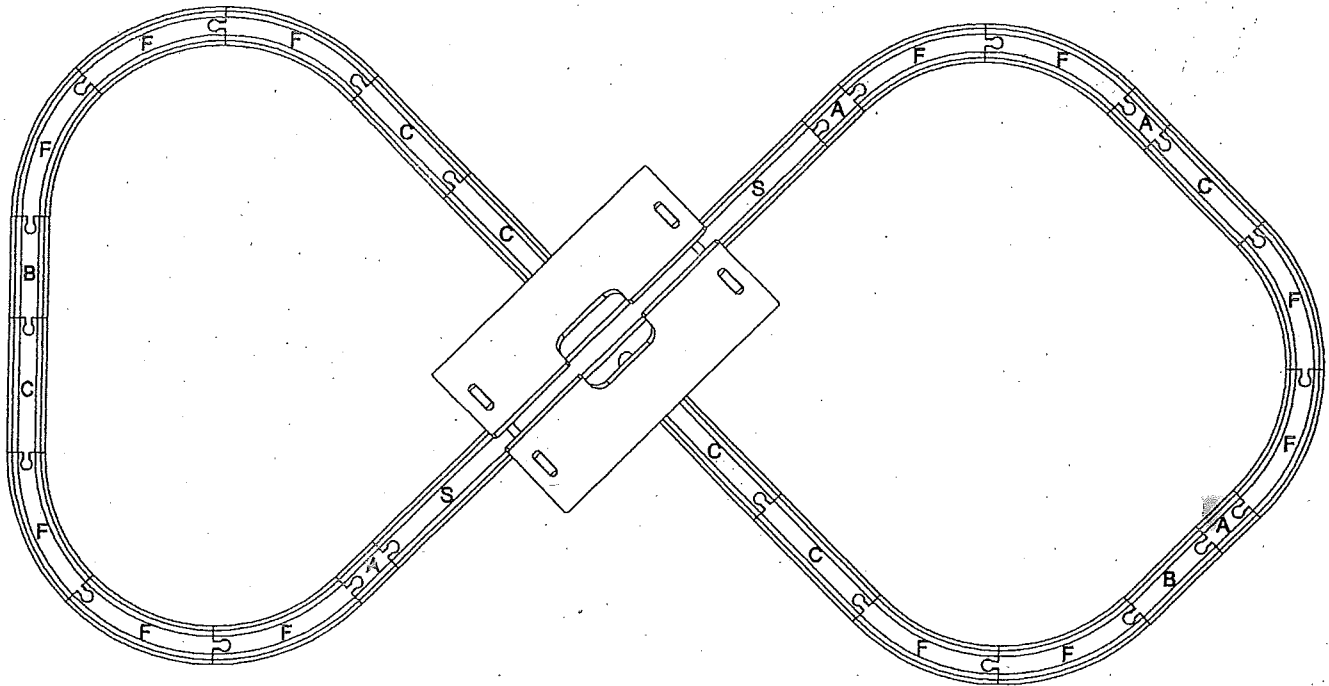
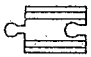
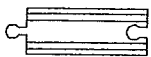
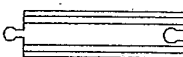

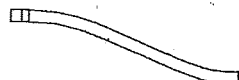
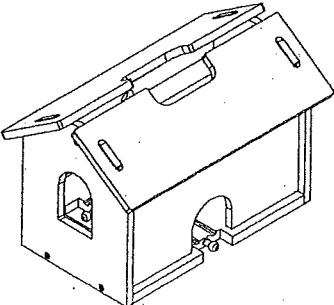

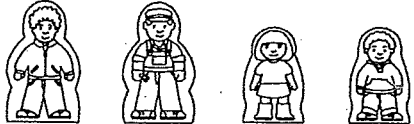
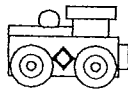
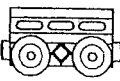
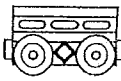


~~TJ10~~ VT28

INSTRUCTIONS



A	B	C	F	S
 x4	 x2	 x6	 x12	 x2
BJ143S		102	BJ101C , BJ101N , BJ111E , BJ111C	
 x1		 x7	 x1 x1 x1 x1 = 4	
		702	802B	802D
		 x1	 x1	 x1

BJT024